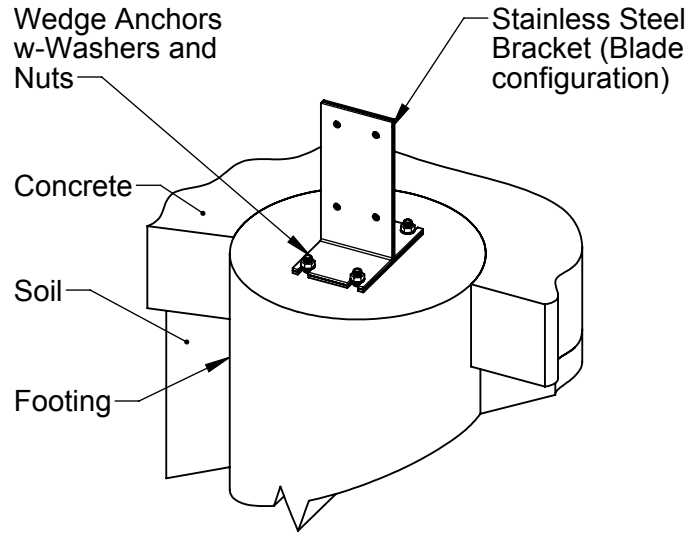
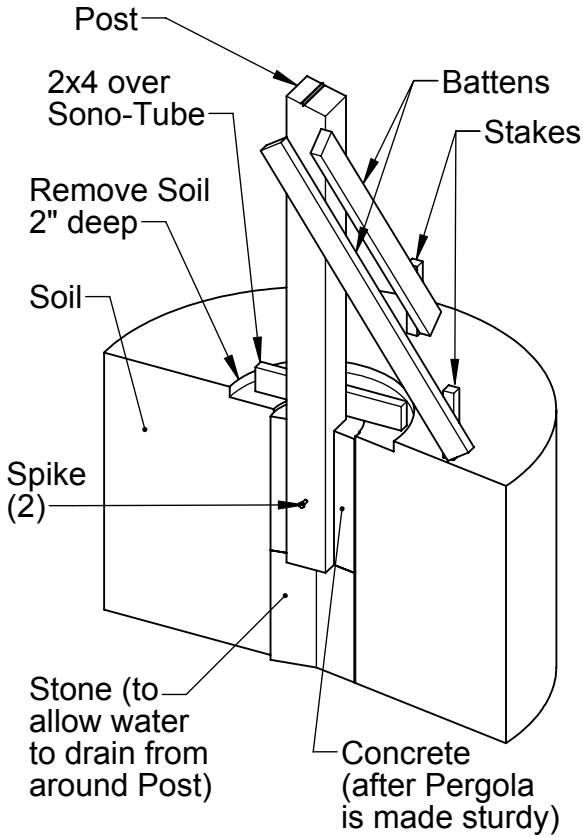


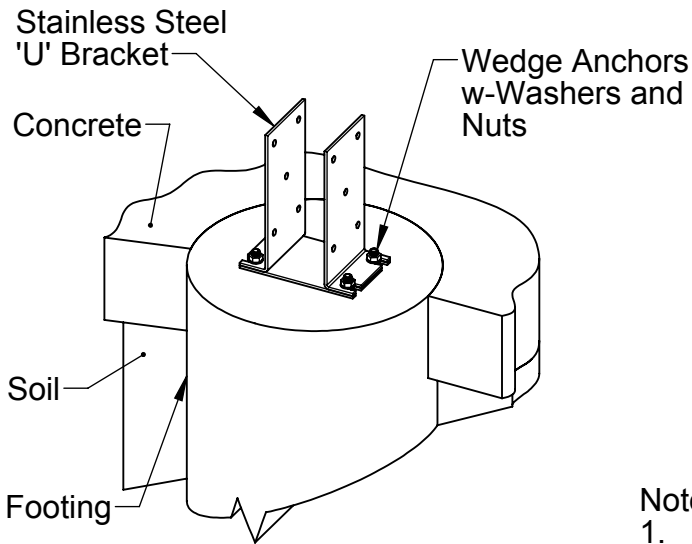
Proprietary Information

The contents of this document are the sole property of Trellis Structures, Inc. and may not be reproduced in whole or in part by any means, without the expressed written consent from a Trellis Structures, Inc. officer. **DO NOT COPY.**



Typical 'Blade' Bracket attached to existing Concrete footing

Typical Post into concrete footing (some posts will have an aluminum sleeve pressed onto bottom of Post)



Typical 'U' Bracket attached to existing Concrete footing

Note:

1. Metal Brackets may also be used on decking; however, decking should be reinforced underneath. A better idea is to have Post go thru decking and attach directly to joists with Lag Screws w-Washers.

Dwg by: CEL	Date: 8 Sep '11	Title:
File No. 1-105		Typical Mounting of Posts (New Pour or Existing Concrete)
Dwg No. 1-105	Scale: None	
	Rev.	

