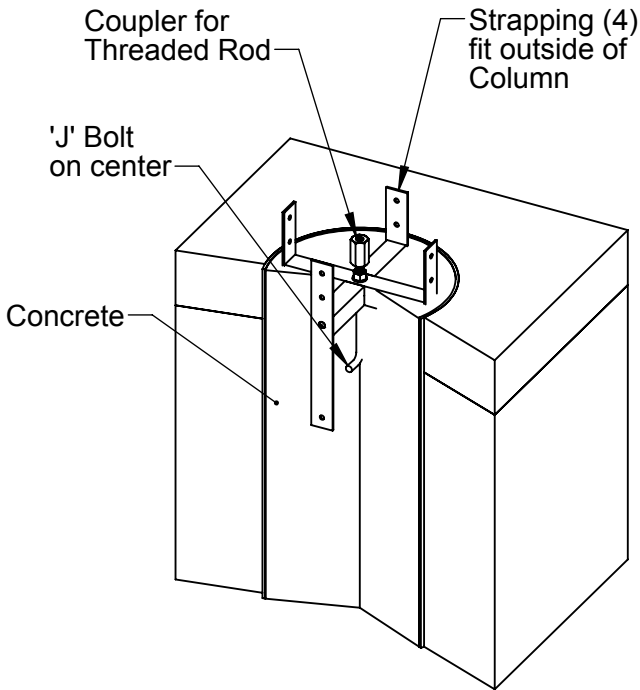
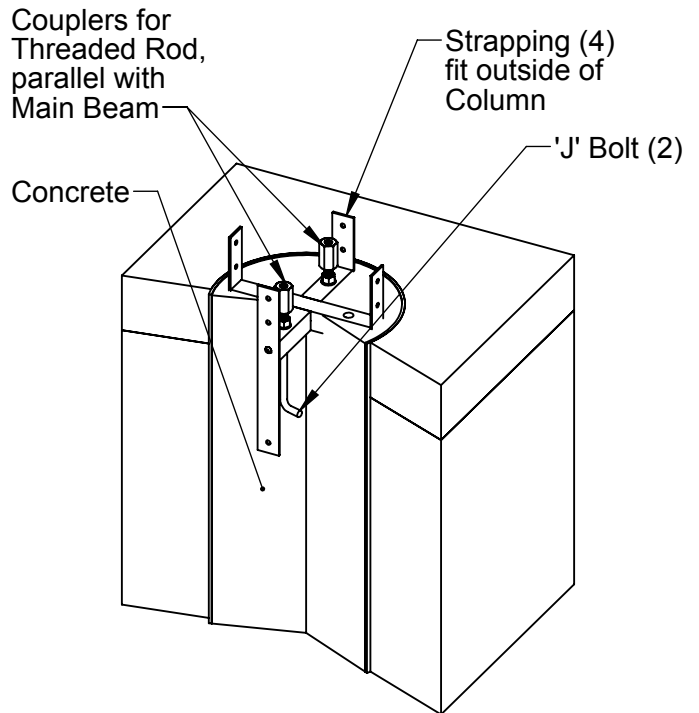


**Proprietary Information**

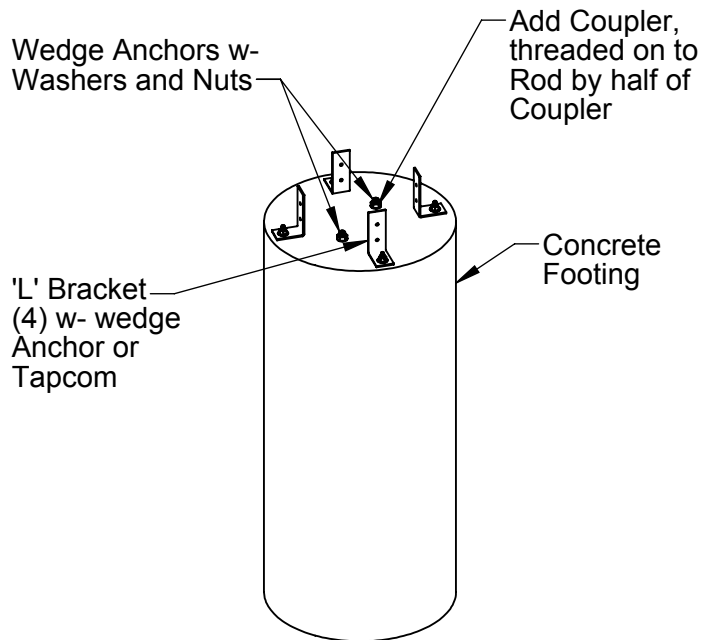
The contents of this document are the sole property of Trellis Structures, Inc. and may not be reproduced in whole or in part by any means, without the expressed written consent from a Trellis Structures, Inc. officer. **DO NOT COPY.**



**Standard One Rod in new pour for 8" diameter Columns**



**Standard Two Rod in new pour for 10" & 12" diameter Columns**



**Two Rod system in an existing concrete footing utilizing Wedge Anchors, 'L' Brackets and Couplers**

Dwg by: CEL	Date: 7 Sep '11
File No. 1-104	
Dwg No. <b>1-104</b>	Scale: 1/4"=1'-0"
	Rev. B-120423

**Standard Mounting of Columns in New Pour or Existing Concrete**

