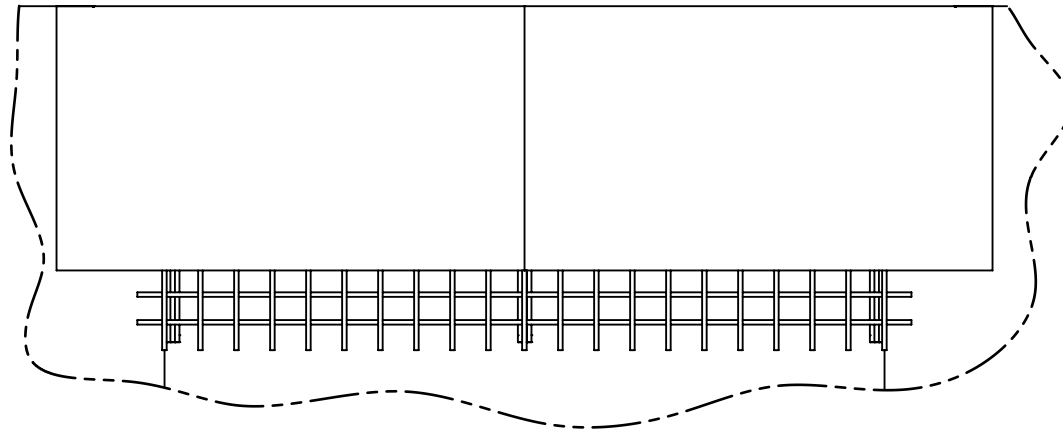


Proprietary Information

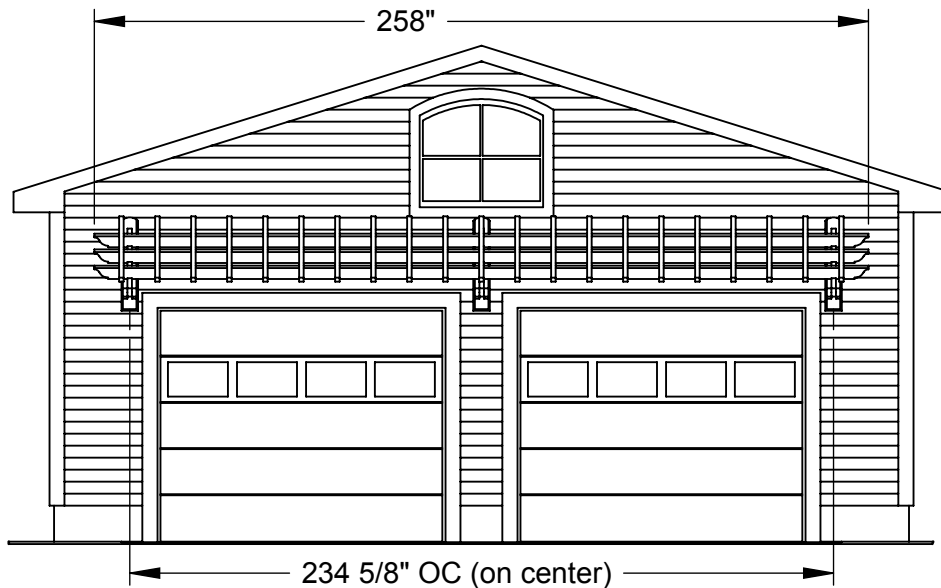
The contents of this document are the sole property of Trellis Structures, Inc. and may not be reproduced in whole or in part without the expressed written consent from a Trellis Structures, Inc. officer. **DO NOT COPY.**

Note:

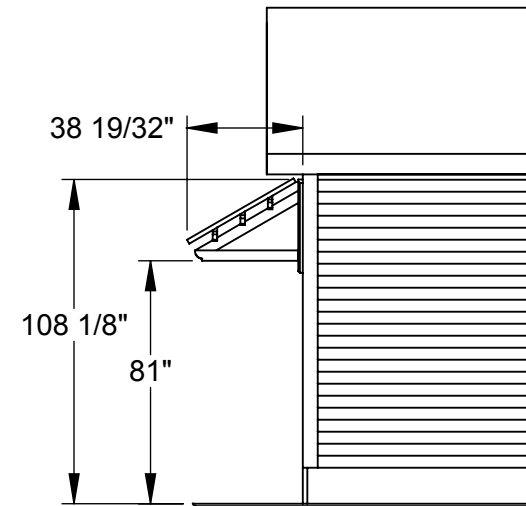
1. Because Garage Doors come in a variety of sizes, different arrangements may be necessary to install the Garage Pergola shown here (8' wide x 7' high door openings).



Plan View



Front Elevation



Side Elevation

Garage Pergola No. 48