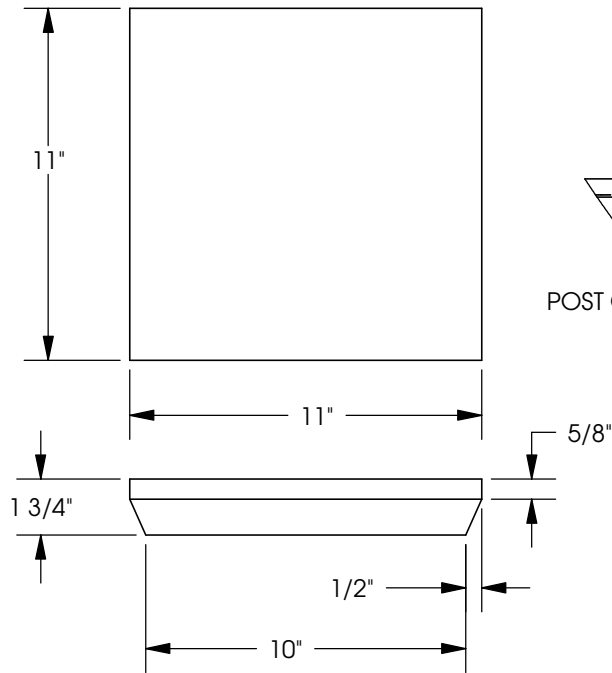
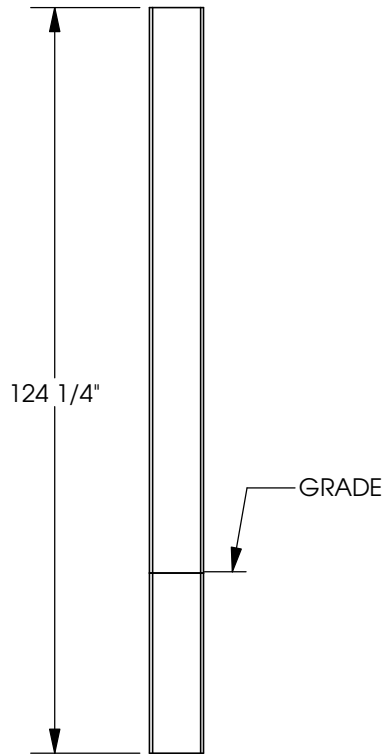
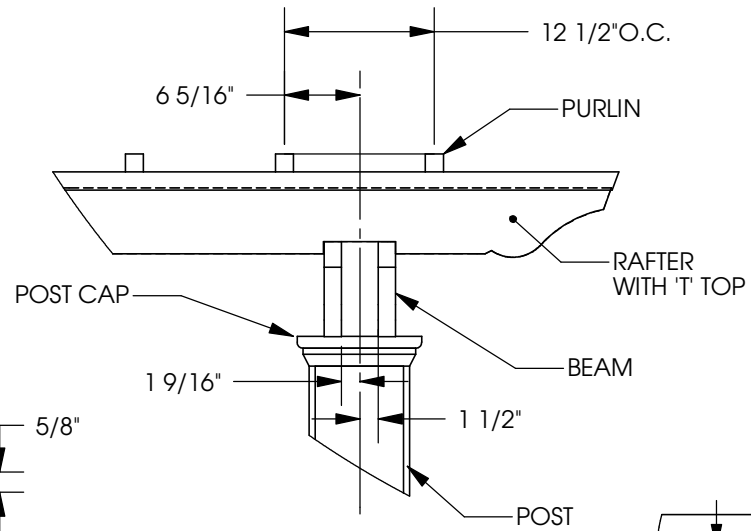


SCROLL TO SEE DETAILS  
ON PAGES 2 AND 3

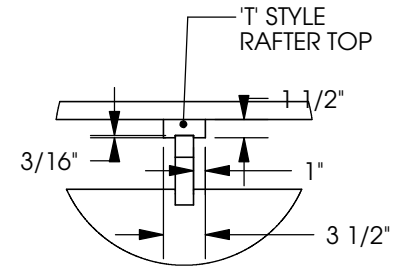
CUSTOM PERGOLA  
BY TRELLIS STRUCTURES INC.



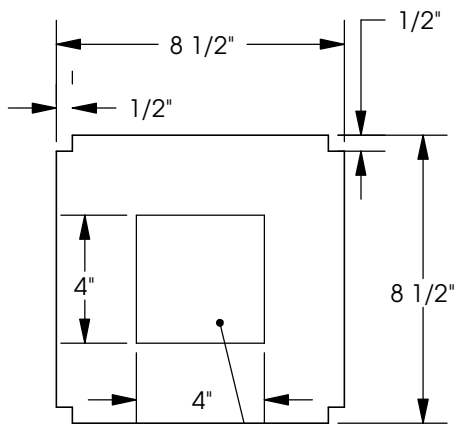
POST CAP, FOUR NEEDED



DETAIL A  
SCALE 1 : 16

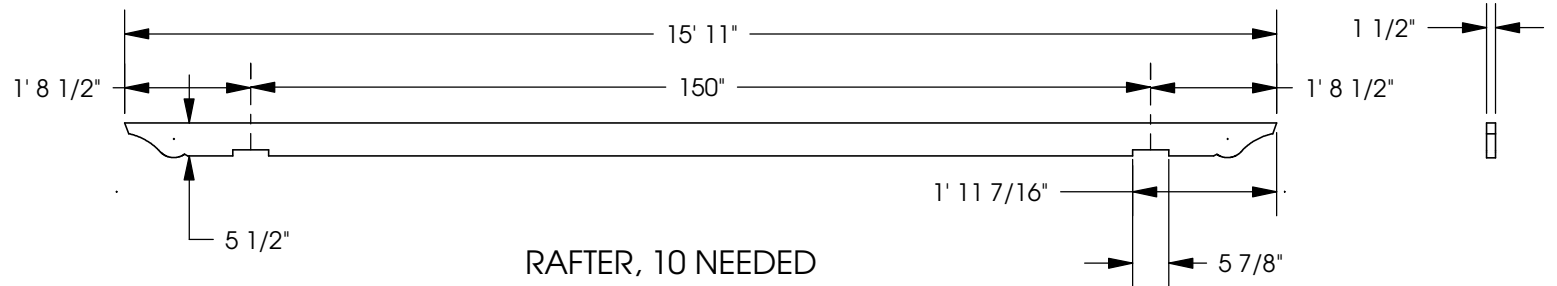


DETAIL B  
SCALE 1 : 16

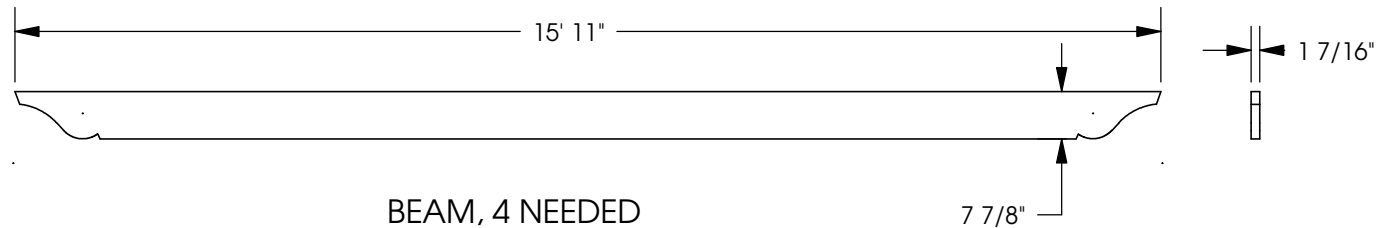


CORE, USE  
1" STAND OFFS  
TO BUILD THICKNESS

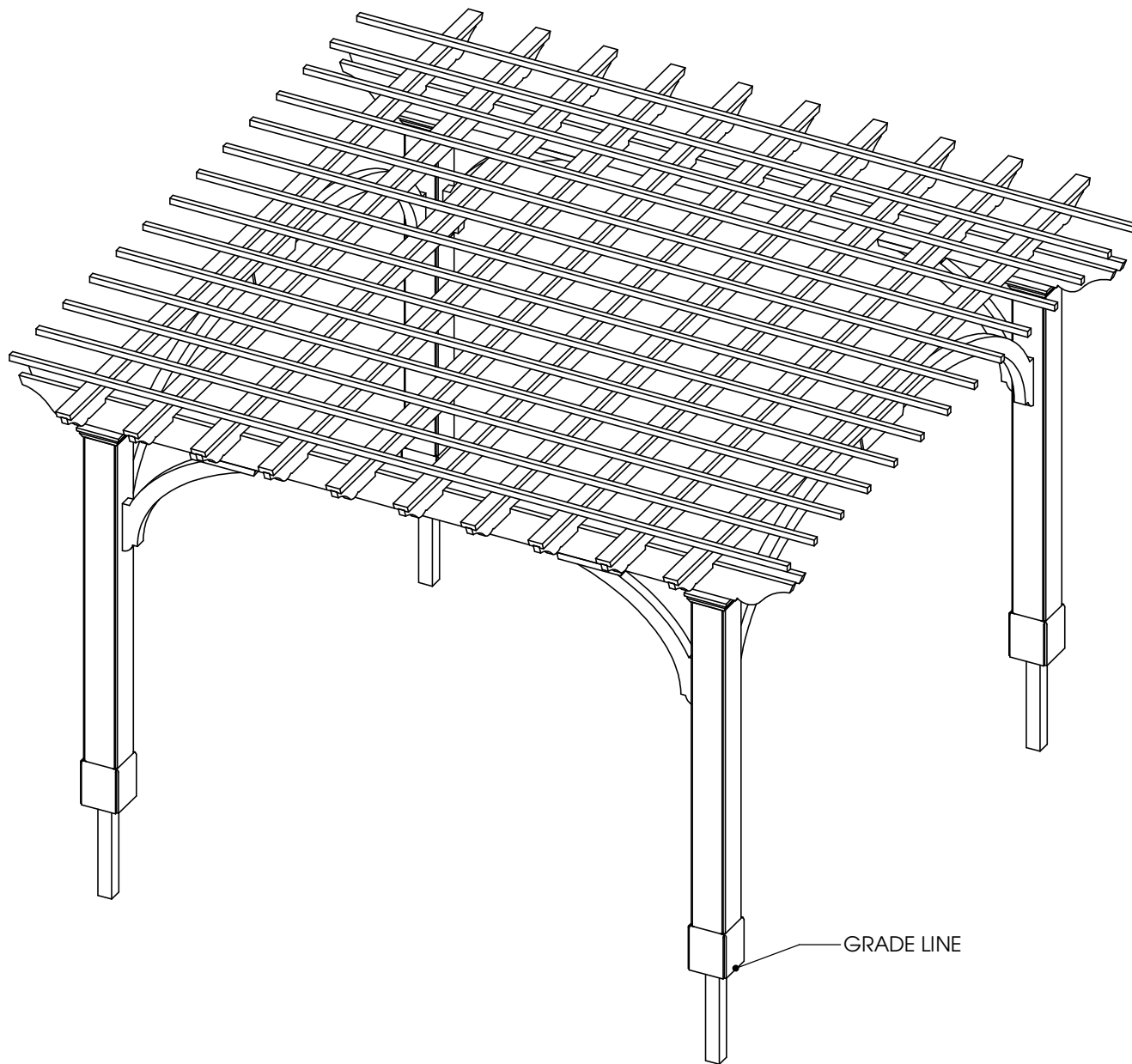
POST, 4 NEEDED



RAFTER, 10 NEEDED



BEAM, 4 NEEDED



- 4) POSTS  
8 1/2" x 8 1/2" SQ., x 124 1/4" H.
- 4) POST CAPS  
11" x 11" SQ. x 1 3/4" TH.  
BEVELED AS SHOWN
- 4) BEAMS  
15' 11" L. x 7 7/8" H. x 1 1/2" TH.  
END PROFILE AS SHOWN
- 10) RAFTER SECTIONS  
12' 6" L. x 5 1/2" H. x 1 1/2" TH.
- 20) RAFTER ENDS  
21" L. x 5 1/2" H. x 1 1/2" TH.

JOIN TWO ENDS AND ONE SECTION TO MAKE 16' L. TOTAL RAFTER. DADO AS SHOWN, END PROFILES AS SHOWN.

- 10) 'T' STYLE RAFTER TOPS  
193" L. x 3 1/2" W. x 1 1/2" H.  
DADO ALONG LENGTH AS SHOWN, MATCH END ANGLE OF RAFTER PROFILE
- 14) PURLINS  
16' L. x 1 1/2" SQ.  
PLACED AS SHOWN

ALL DIMENSIONS ARE FOR FINISH STOCK

CUSTOM PERGOLA  
BY TRELLIS STRUCTURES INC.